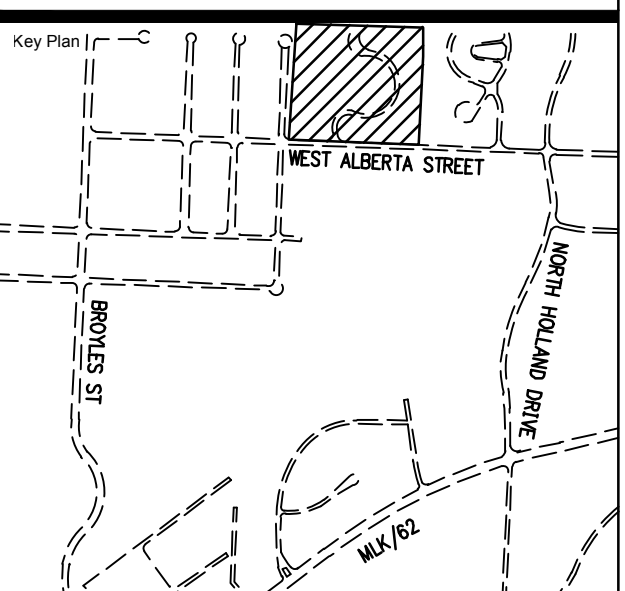




**THE COVES  
 PHASE II**  
 FAYETTEVILLE, ARKANSAS  
 NOTE: PLAT PAGE #555



No.	Description	Code

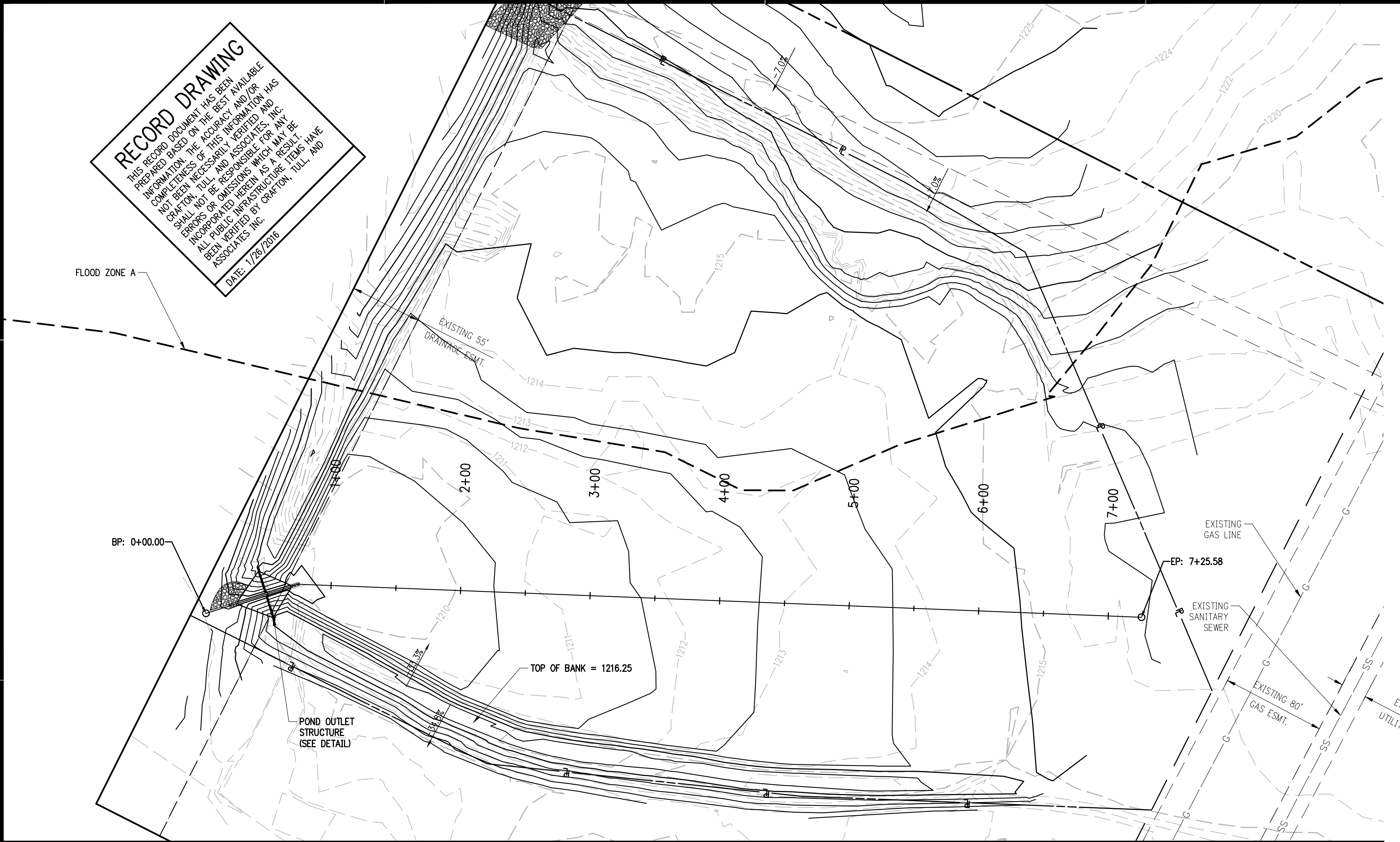
This document, and the ideas and designs incorporated herein, as an instrument of professional service, is the property of Crafton, Tull & Associates, Inc., and is not to be used, in whole or in part, for any other project, without the written authorization of Crafton, Tull & Associates, Inc.

PROJECT NO: 14101800  
 ISSUE DATE: 1/26/2016  
 CONTACT: Z. JOHNSTON  
 CHECKED BY:  
**RECORD DRAWING**  
 REGISTERED PROFESSIONAL ENGINEER  
 No. 16439  
 ZACHARY JOHNSTON

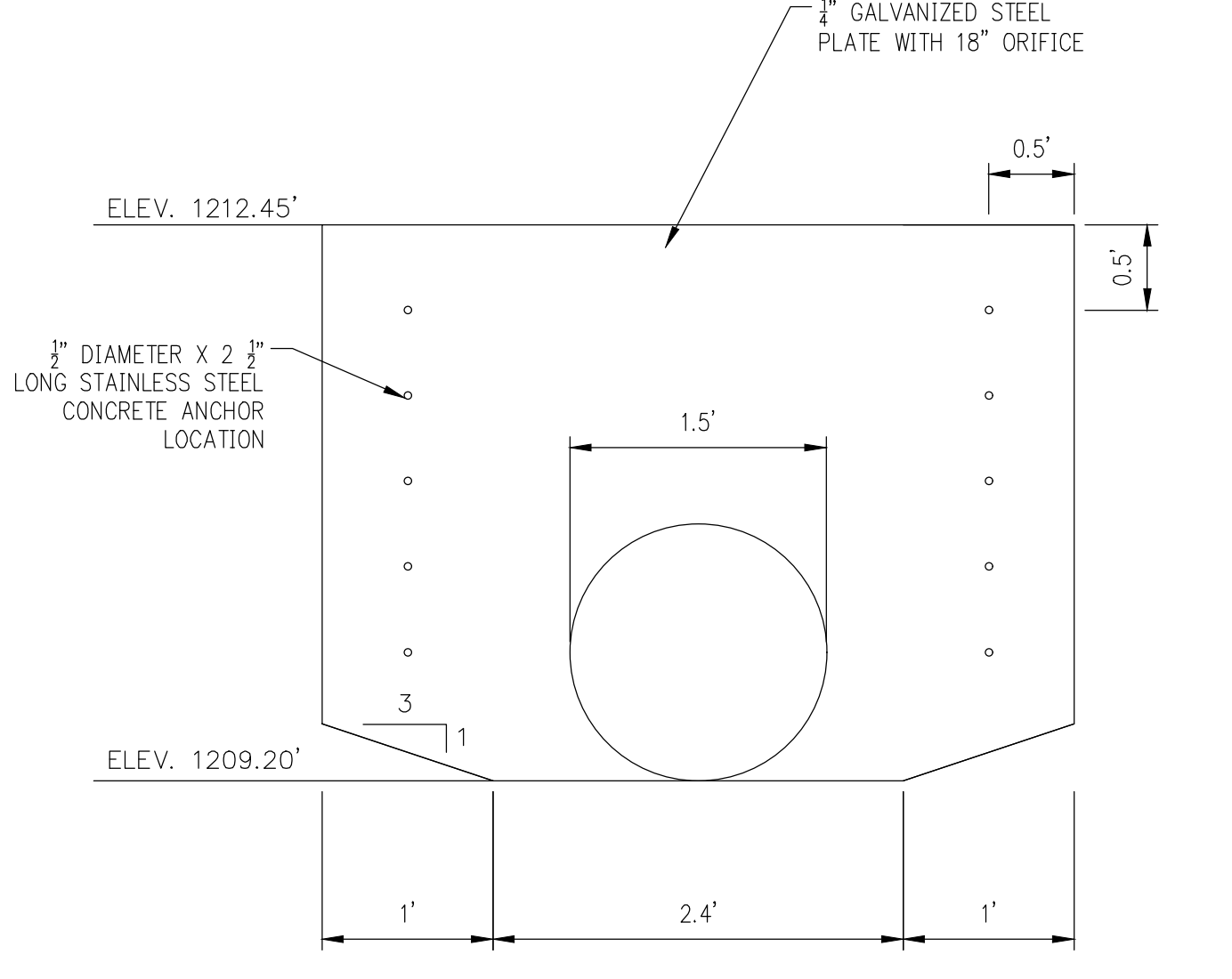
© 2014 Crafton, Tull & Associates, Inc.  
 02/01/2016  
 POND PLAN & PROFILE

**C-201**

**RECORD DRAWING**  
 THIS RECORD DOCUMENT HAS BEEN PREPARED BASED ON THE BEST AVAILABLE INFORMATION. THE ACCURACY AND/OR COMPLETENESS OF THIS INFORMATION HAS NOT BEEN NECESSARILY VERIFIED AND CRAFTON, TULL AND ASSOCIATES, INC. SHALL NOT BE RESPONSIBLE FOR ANY ERRORS OR OMISSIONS WHICH MAY BE INCORPORATED HEREIN AS A RESULT OF ALL PUBLIC INFRASTRUCTURE ITEMS HAVE BEEN VERIFIED BY CRAFTON, TULL AND ASSOCIATES, INC.  
 DATE: 1/26/2016



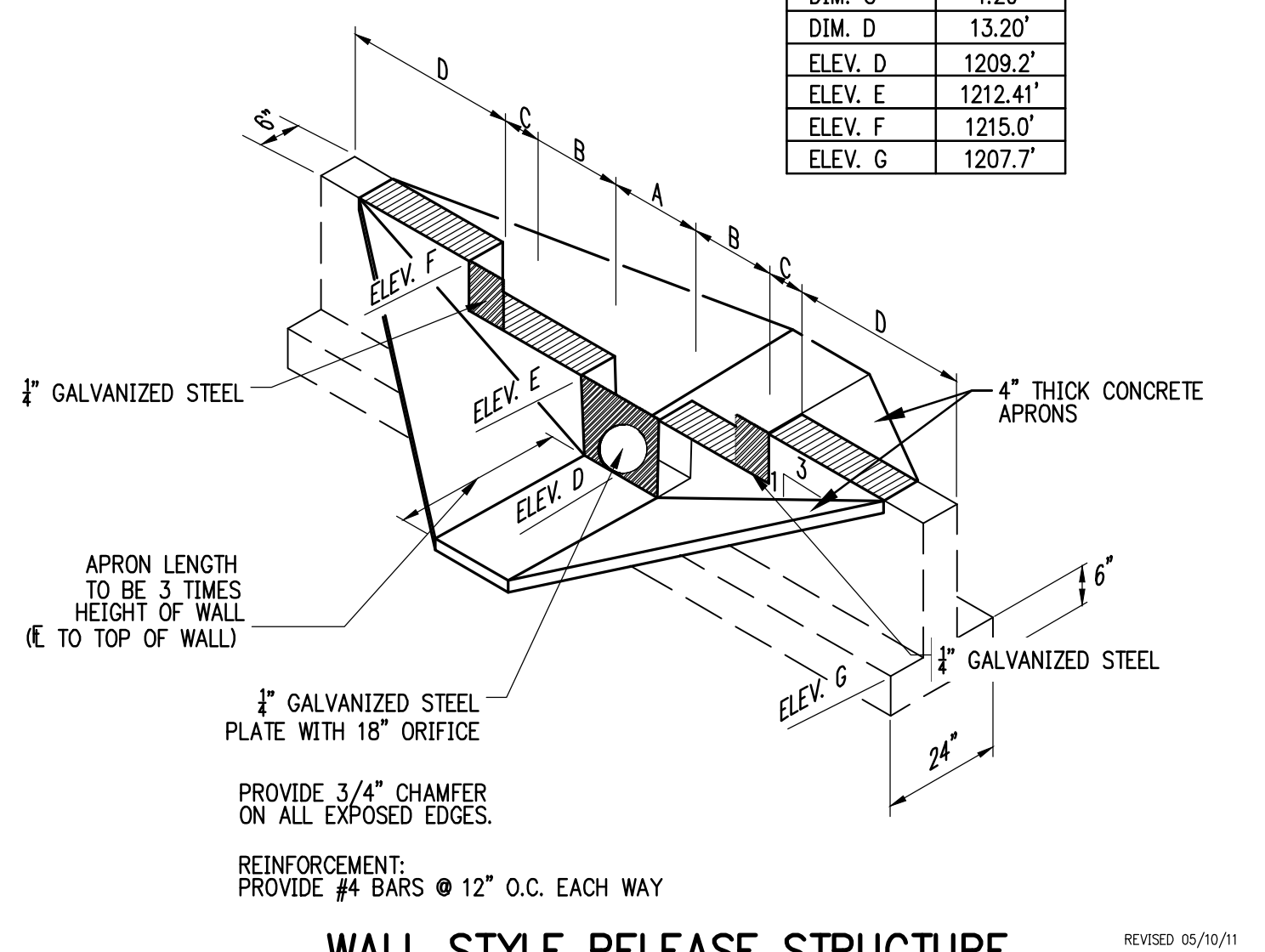
- GENERAL NOTES:  
 1. ORIFICE PLATE TO BE INSTALLED ON THE NE SIDE OF THE OUTLET STRUCTURE.  
 2. ORIFICE PLATE IS TO BE SECURED WITH 1/2" DIA. X 2 1/2" STAINLESS STEEL CONCRETE ANCHORS 6" O.C.



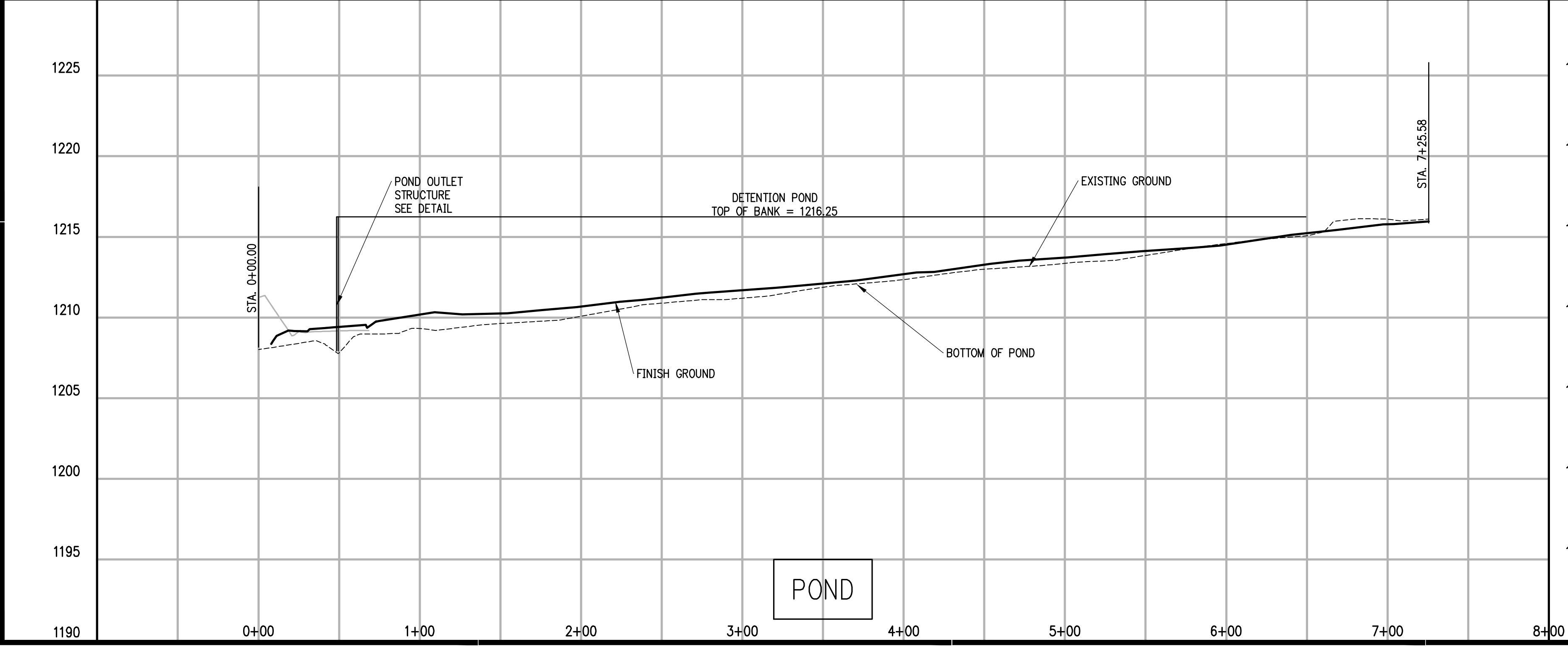
**WEIR WALL ORIFICE PLATE**  
 SCALE 1" = 1'

NOTCH STYLE:  SQUARE  V

DIM. A	2.40'
DIM. B	3.80'
DIM. C	1.20'
DIM. D	13.20'
ELEV. D	1209.2'
ELEV. E	1212.41'
ELEV. F	1215.0'
ELEV. G	1207.7'



**WALL STYLE RELEASE STRUCTURE**  
 NTS  
 REVISED 05/10/11



DRAWING: G:\31110\HOLLAND\ORCA\RECORD\WORK\PLAT.DWG  
 DATE: 02/01/2016  
 FILE: 1072016.030351.DWG  
 PLOT FILE: 1072016.030351.DWG  
 PLOT BY: WADE CHAMBERLAIN